

---

# 60W LED RGBW 4in1 Zoom Spotlight

## User Manual



This manual contains important information.  
Please read before operating fixture.

# 1 SECURITY TIPS

**WARNING!!! To reduce the risk of fire, electric shock, or injury to persons, follow these important safety instructions:**

- non-professionals, not to disassemble the light arbitrarily and lighting accessories inside.
- rated voltage range: AC110V-120V/60Hz or AC200V-240V / 50HZ (to be selected).
- not beam irradiate the flammable materials, flammable materials and the lamp should be maintained at least 1M over the distance.
- lamps used in ambient temperature: -15 °C -40 °C, the highest temperature of the surface of the lamp: 60 °C.
- to keep away from the liquid substance and humid environment.
- before using the lights must ensure the good grounding, can not install charging and remove any parts.
- the installation of lamps, must be fixed screw fasteners with additional security cable and regular inspection.
- lamps consecutive working hours is not recommended more than 10 hours.
- should stop using the lights in time when happens unusual conditions during the process
- lamp parts of the rotation, external accessories and paste parts should be regular inspected, such as the emergence of loose and rock, should be reinforced in a timely manner to prevent the accident.
- lamps adopt strong winds to refrigerate, it is easy to accumulate the dust, so you have to clean it weekly especially the cooling air opening, otherwise the dust will plug leading to poor light

## 2 TECHNOLOGY REFERENCE

Voltage: AC100-240V,50Hz-60Hz

Consumption: 60W

Life hours:20000Hs

Light source: 60W RGBW 4in1 LED

Manual zoom:4-60°

Channel: 4/7CH

Mode of control: DMX512, Auto, Sound, Master-slave

IP rate: IP20

Function: manual zoom,can adjust angle

Three installation methods, hanging, double handles and ceiling

PowerCon in/out

3-pin XLR in/out

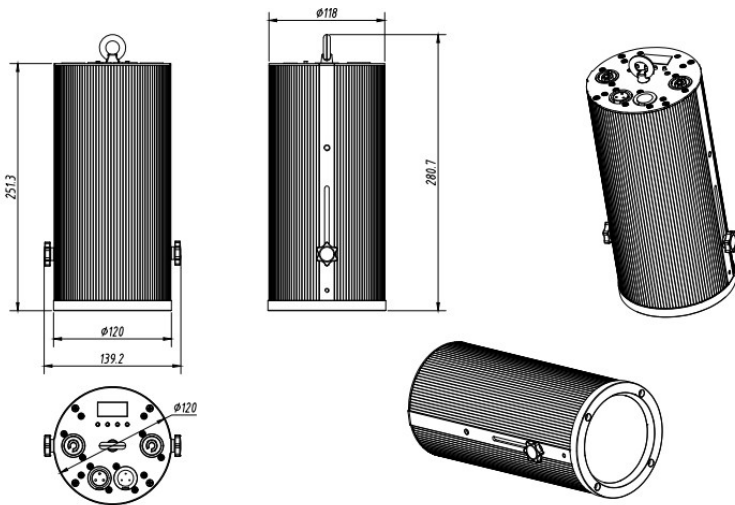
## 3 Board Instruction

Menu1	Menu2	Menu3	Description
Addr	1-512		DMX address setting
Channel	4CH/7CH		DMX Channel setting
Static	Red	0-255	
	Strobe	00-20	
	White	0-255	

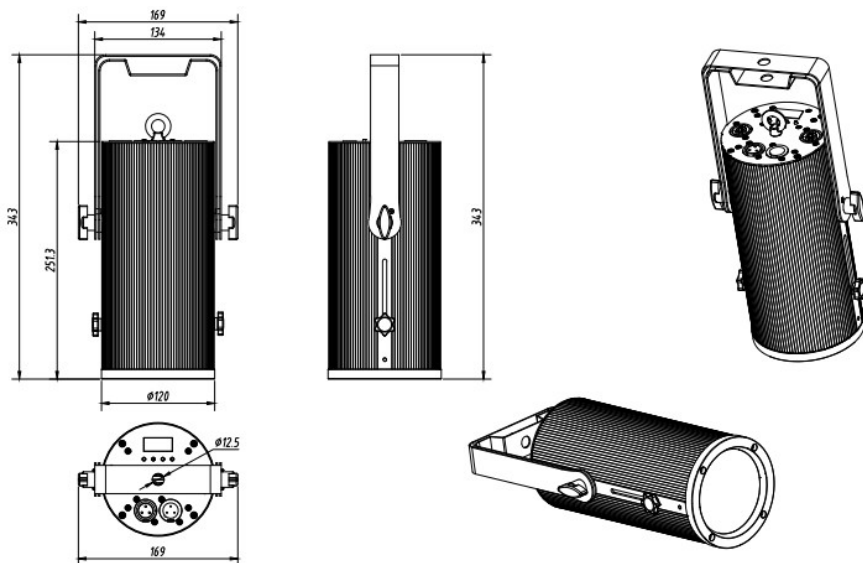
	<b>Blue</b>	<b>0-255</b>	
	<b>Green</b>	<b>0-255</b>	
<b>Auto</b>	<b>Auto1-Auto9</b>		
<b>Sound</b>	<b>Sound1-Sound2</b>		<b>Sound control</b>
<b>Display</b>	<b>ON/OFF</b>		

## 4 Dimensions of three installation methods

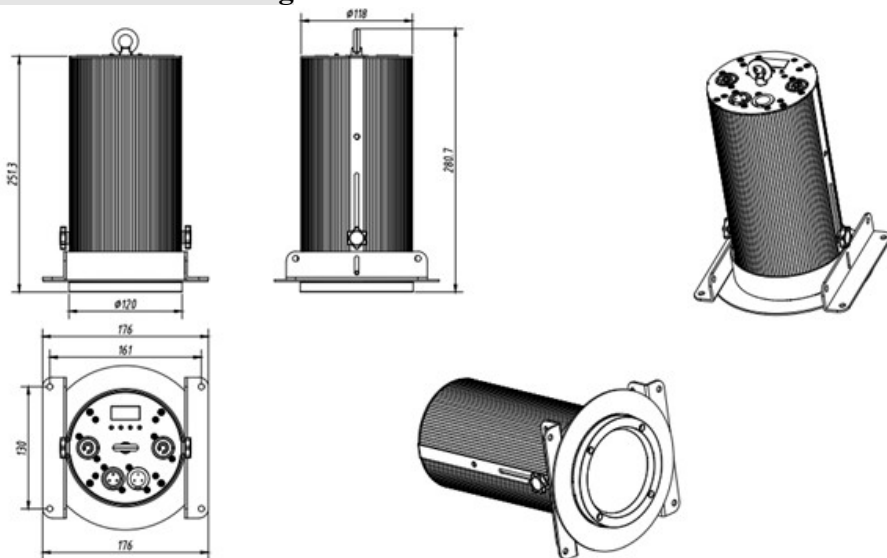
### (1) Dimensions of hanging



### (2) Dimensions of double handles



### (3) Dimensions of ceiling



## 5 DMX CHANNEL SHEET

## 7CH

7C	Vable	Function
1	0-255	Dimmer 0-100%
2	0-255	Red 0-100%
3	0-255	Green 0-100%
4	0-255	Blue 0-100%
5	0-255	White 0-100%
6	0-255	Strobe/from slow to fast )
7	0-10	No Function
	11-49	RED+GREEN Mixing color
	50-89	GREEN+BLUE Mixing color
	90-94	( CCT ) White1 : 6600K
	95-99	White2 : 7000K
	100-104	White3 : 8800K
	105-109	White4 : 11300K
	110-114	White5 : 14500K
	115-119	White6 : 17000K
	120-124	White7 : 20000K
	125-129	White8 : 30000K
	130-134	White9 : 40000K
	135-139	White10 : 50000K
	140-144	White11 : 60000K
	145-154	Auto1
	155-164	Auto2
	165-174	Auto3
	175-184	Auto4
185-194	Auto5	
195-204	Auto6	
205-214	Auto7	
215-224	Auto8	

225-234	Auto9
235-244	Sound01
245-255	Sound02

## 4CH

CH	Value	Function
1	0-255	RED 0-100%
2	0-255	GREEN 0-100%
3	0-255	BLUE 0-100%
4	0-255	WHITE 0-100%

## 6 CONNECTION OF DMX-512 AND CONNECTION WITH THE LIGHT EQUIPMENT

Please connect XLR-XLR control wire with every light from the output of DMX.

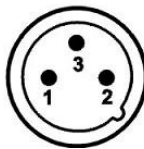
XLR connection :

DMX-OUTPUT



Pin 1: Screen  
Pin 2: Signal -  
Pin 3: Signal +

DMX-INPUT



Pin 1: Screen  
Pin 2: Signal -  
Pin 3: Signal +

5Pins canon(socket)  
Pin 1: GND(SCREEN)  
Pin 2: Signal(-)  
Pin 3: Signal(+)  
Pin 4: N/C  
Pin 5: N/C



3Pins canon(plug)  
Pin 1: GND(SCREEN)  
Pin 2: Signal(-)  
Pin 3: Signal(+)

3Pins canon(socket)  
Pin 1: GND(SCREEN)  
Pin 2: Signal(-)  
Pin 3: Signal(+)



5Pins canon(plug)  
Pin 1: GND(SCREEN)  
Pin 2: Signal(-)  
Pin 3: Signal(+)  
Pin 4: N/C  
Pin 5: N/C

ATTENTION: Please do remember to connect one circle circuit plug on the output signal of last equipment. And this circle circuit plug was connected a 120ohm resistance between terminals 2 and 3 of the CANON plug, connect this circle circuit plug can avoid the signal flash phenomena of signal DMX512 during the transmission.

## 7 Maintenance

Problems	Check list	Trouble Shooting
The fixture do not work	1. If your power as same as the input of the machine. 2. If the fuse was broken.	1. Make sure the voltage. 2. Replace the same fuse.
LED dimmed	If your power us same as the input of the machine.	Make sure the voltage input.
No DMX input	1. If the polarity is opposited in the DMX controller. 2. If it is in DMX mode. 3. If there are 2 Master in a loop.	1. Correct the DMX polarity. 2. Change to the DMX mode. 3. Set one piece into Slave mode.
Par Light Set works abnormality	1. Check if the serial is correct on the Par Light display	1. Set the right serial No on the single Par Light

## 8 AFTER SERVICE

1. Our company offer technical consultation to customers for ever.
2. If the machine is wrong and need repairmen, please truthfully fill in the related content and feedback us the problems timely, as well as we have to improve the product.
3. In addition to the lamp, also matching accessories are as follows :  
**accessories** : Power line 1 piece    **Optional parts** : (customers )



## Warranty Card

Name	Model	Production	Purchase	
------	-------	------------	----------	--

End User
Company Name:
Add:

Sale Store
Link man:
Tel:                      Stamp

Description: These must be truthfully fill, seal by the end-user and point-of-sale, or else the

warranty will not work (warranty period and terms, see the following)

warranty period : one year since purchase warranty terms : 1、 If fail when using the product in normal state, you can made under the provisions of the warranty, show the warranty card and purchase bills(copy), and enjoy free maintenance service in a specific service center or the manufacturer.

2. The following will be the implementation of paid service:

- (1)Without the effective warranty card
- (2)There's blank, alter and no point-of-sale name
- (3)Fail caused by unresistance
- (4)Fail caused by transportation or unloading
- (5)Fail caused by not operate by manual
- (6)Fail caused by disassemble without unauthorized
- (7)Fail caused by using the unauthorized control system

### Note:

Based on our company continue to improve the product, the statement containing data may have changed, and will not notice the change any more. Company retains its right to change specifications related when product is improved. Thanks for your understanding.